

Controller for chaincase

DATASHEET

Type **Carrier 5**
 Motor code **S03**
 Motor position **Front**

Specifications

Voltage **36V**
 Power rating **250W**
 Light output **Yes**
 Brake cut off support **Yes**
 BB pedal sensor type **Speed**
 Display protocol **v1 + charge**
 Speed limit **25 km/t**
 Walk-assist **Yes**
 Throttle function **Yes**

Wiring

Motor cable	750 mm	Connector:	9 pin circular
Display cable	1250 mm		V1 + charge
Brake cut off	750+30 mm		02R-JWPF-VSLE-S
Light cable	750+48 mm		02T-JWPF-VSLE-S

Tests & specification

IP **IP54**
 Certifications **CE / EN 15194 /
 REACH /ROHS**

Battery information

Battery type
 Battery communication

Options

Wheel size

Driving mode

Motor code

Mounting chaincase

Compatible motors

Compatible displays

Compatible batteries

Chaincase

No

26"

Speed / ECO

S04 (50506)

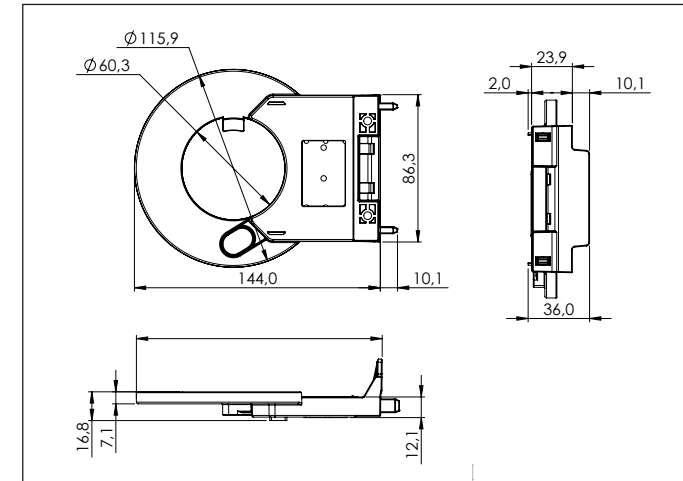
See frame catalogue

50275-2

V1 + charge

**Chaincase: 50246,
 50247, 50249**

DIMENSIONS



Jan. 2018, VS_1