

Controller carrier 4

DATASHEET

Type **Carrier 4**
Motor position **Front + rear**

Specifications

Voltage **36V**
Power rating **250W**
Light output **Yes**
Brake cut off support **Yes**
BB pedal sensor type **Speed**
Display protocol **v1**
Speed limit **25 km/t**
Walk-assist **Yes**
Throttle function **Yes**

Wiring

| | | |
|-----------------------------|-------------------|-----------------------|
| Battery connection | Integrated | Connector: |
| Motor cable | Integrated | |
| BB sensor cable | Integrated | 9 pin circular |
| Display cable | Integrated | 5 pin circular |
| Brake cut off + light cable | Integrated | V1 |
| | | 3-pin circular |

Tests & specification

IP **IP54**
Certifications **CE / EN 15194 / REACH / ROHS**

Battery information

Battery type **Carrier 4**
Battery communication **Yes**

Options

Wheel size **26" (50974-1-26")**

Driving mode

Speed /ECO

Compatible motors

50742

Compatible sensors

50960, 50920, 50587

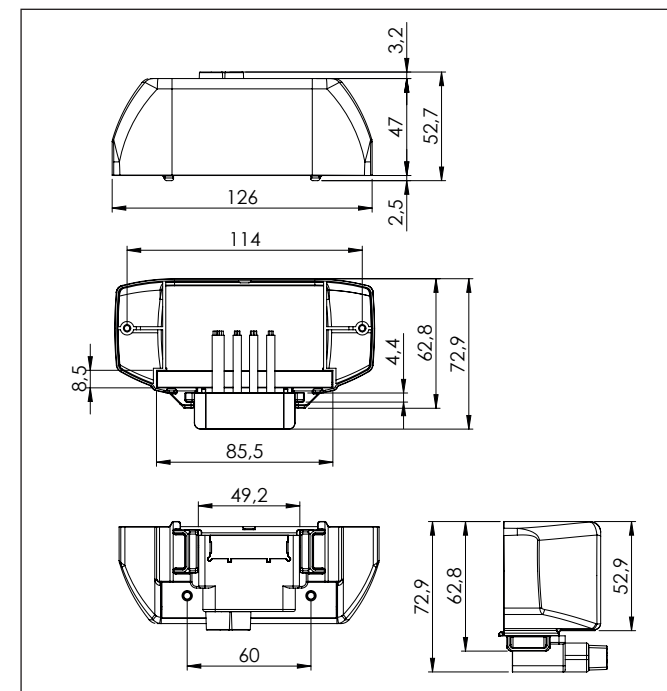
Compatible displays

V1

Compatible batteries

**Carrier 4: 50640-BL,
50784-BL, 50642-BL,
50639-BL**

DIMENSIONS



Jan. 2018, VS_1