

# Downtube 2 battery

DATASHEET

## Specifications

Rated voltage	<b>36 V</b>
Com. Protocol	<b>RS-485</b>
BMS	<b>Smart BMS</b>
Voltage scope (V)	<b>31-42V</b>
Charge mode	<b>CC-CV (Type A Pro-Movec charger)</b>
Operation temperature charge	<b>0°C -45°C</b>

## Mounting parameter

Position	<b>Downtube</b>
Weight (kg)	<b>2,6-2,7</b>
Controller position	<b>Downtube / center</b>
Charger	<b>4 pin Pro-Movec charger</b>

## Mounting

Downtube	<b>50630 (see frame catalogue)</b>
----------	------------------------------------

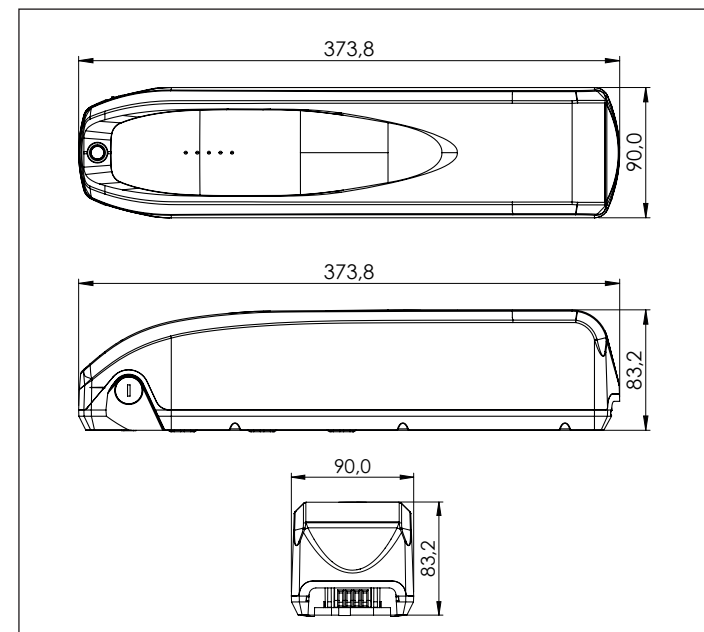
## Battery options

Part No.	Name	Capacity
50790-BL	DT2	8,8Ah, 36V, 316Wh
50791-BL	DT2	10,4Ah, 36V, 374Wh
50793-BL	DT2	12,8Ah, 36V, 482Wh

## Tests & certifications

IP	<b>IP 65</b>
Certifications	<b>CE / EN 15194 ROHS / REACH UN 38,3, MSDS</b>

## DIMENSIONS



Jan. 2018, VS\_1